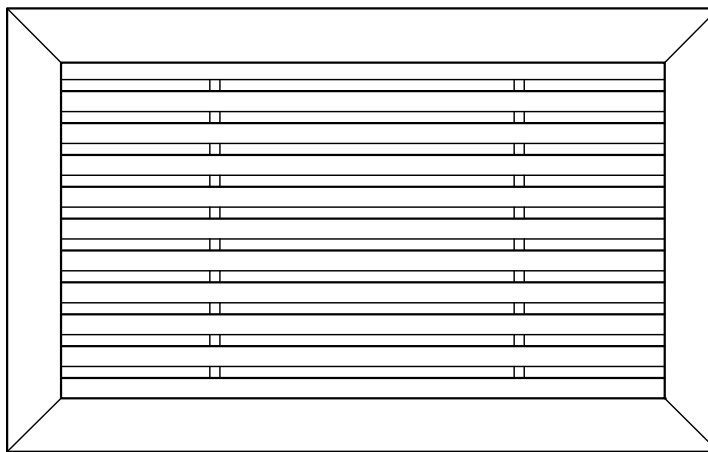
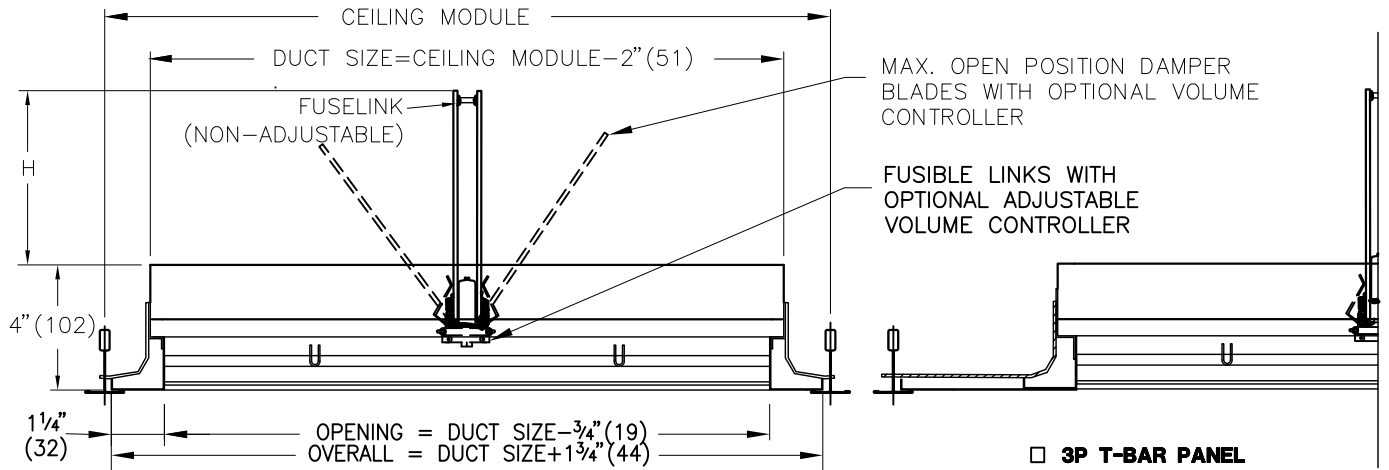


530-FR RETURN AIR GRILLE, FIRE RATED ASSEMBLY



MODULE SIZE	DUCT SIZE	H
12 X 12 (305 X 305)	10 X 10 (254 X 254)	4 (102)
24 X 12 (610 X 305)	22 X 10 (559 X 254)	4 (102)
24 X 24 (610 X 610)	22 X 22 (559 X 559)	10 (254)

MATERIAL:

- STEEL CONSTRUCTION
- CEILING RADIATION DAMPER: GALVANIZED STEEL, BUTTERFLY TYPE
- THERMAL BLANKET: NON ASBESTOS

FINISH:

- B12 WHITE (OPTIONAL FINISHES AVAILABLE)

OPTION:

- 165°F (74°C) FUSIBLE LINK (STANDARD)
- 212°F (100°C) FUSIBLE LINK
- ADJUSTABLE VOLUME CONTROLLER (SPEED BALL ALLEN KEY ADJUSTABLE)

NOTE:

- FIRE RATED 3 HOUR.
- UL CLASSIFIED FIRE RATED CEILING DIFFUSER ASSEMBLY. LISTED IN UNDERWRITERS LABORATORIES FIRE RESISTANCE DIRECTORY.
- ULC CLASSIFIED FIRE RATED CEILING DIFFUSER ASSEMBLY. LISTED IN UNDERWRITERS OF CANADA LABORATORIES LIST OF EQUIPMENT AND MATERIALS.
- 530-FR/L- FRONT BLADES PARALLEL TO LONG DIMENSION
- 530-FR/S- FRONT BLADES PARALLEL TO SHORT DIMENSION
- 530-FR/L TYPE SHOWN ABOVE
- SIZES: MIN. CEILING MODULE 12"X12"(305 X 305) CEILING MODULE 12"X24"(305 X 610) MAX. CEILING MODULE 24"X24"(610 X 610)
- FOR 3P PANEL OPTION MAX. NOM. DUCT =CM-4"(102) SPECIFY MODULE SIZE AND NOM. DUCT AS ABOVE
- DUCT:STEEL OR FLEXIBLE DUCT CONNECTIONS (BY OTHERS) AS PER FIRE RATED DESIGN REQUIREMENTS.
- INSTALLATION INSTRUCTIONS: 228793 OR FOR PANEL SEE SUBMITTAL 233667
- FIRE RATED DIFFUSERS ARE TO BE INSTALLED IN FIRE RATED T-BAR APPLICATIONS ONLY.

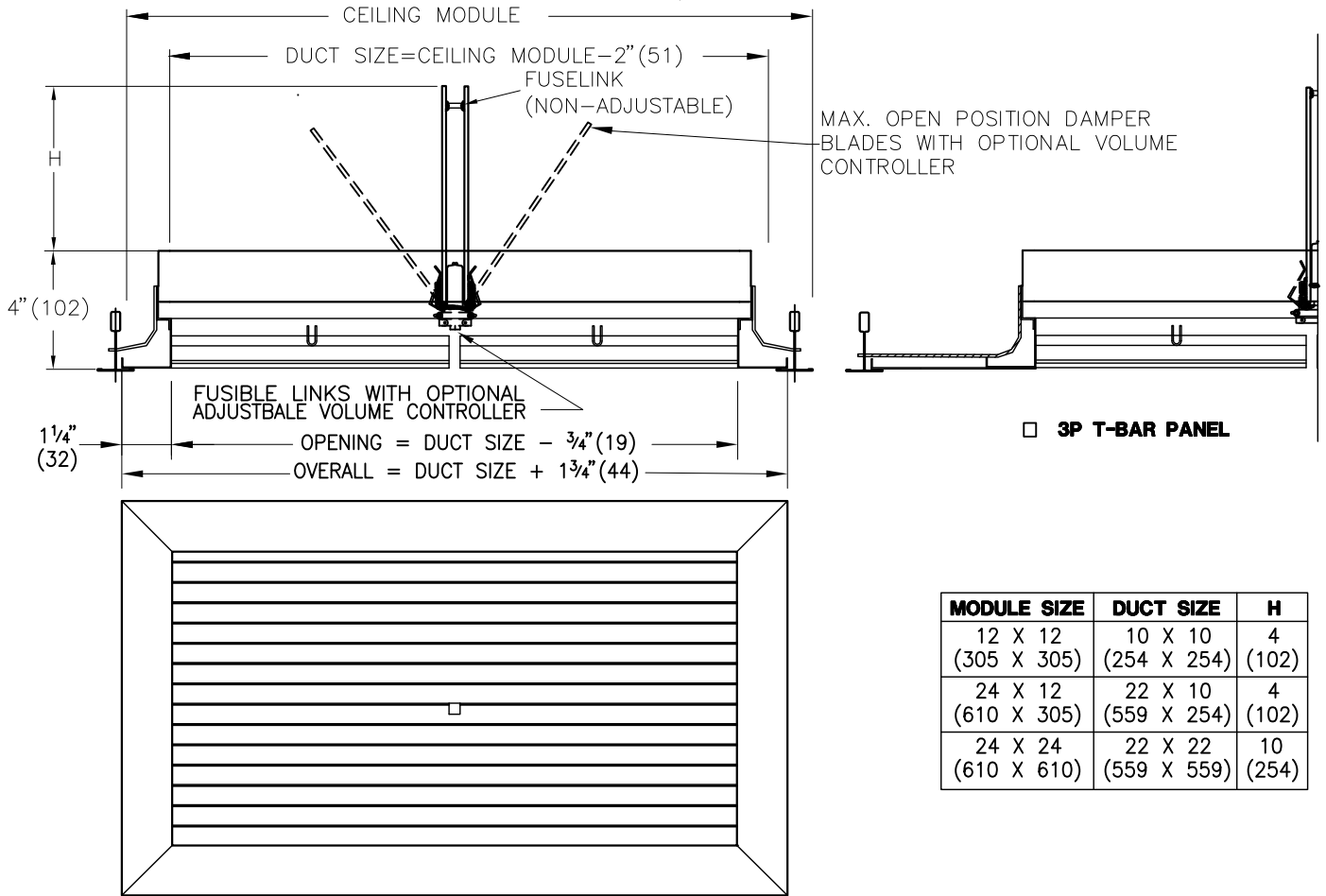


ALL METRIC DIMENSIONS () ARE SOFT CONVERTED. IMPERIAL DIMENSIONS ARE CONVERTED TO METRIC AND ROUNDED TO THE NEAREST MILLIMETER.

PROJECT:		PRICE®
ENGINEER:		
CUSTOMER:		228737
SUBMITTAL DATE:	SPEC. SYMBOL:	2015/04/01

530-FR
RETURN AIR GRILLE
45° DEFLECTION
FIRE RATED ASSEMBLY

535-FR RETURN AIR GRILLE, FIRE RATED ASSEMBLY



MATERIAL:

- STEEL CONSTRUCTION
- CEILING RADIATION DAMPER: GALVANIZED STEEL, BUTTERFLY TYPE
- THERMAL BLANKET: NON ASBESTOS

FINISH:

- B12 WHITE (OPTIONAL FINISHES AVAILABLE)

OPTION:

- 165°F (74°C) FUSIBLE LINK (STANDARD)
- 212°F (100°C) FUSIBLE LINK
- ADJUSTABLE VOLUME CONTROLLER (SPEED BALL ALLEN KEY ADJUSTABLE)

NOTE:

- FIRE RATED 3 HOUR.
- UL CLASSIFIED FIRE RATED CEILING DIFFUSER ASSEMBLY. LISTED IN UNDERWRITERS LABORATORIES FIRE RESISTANCE DIRECTORY.
- ULC CLASSIFIED FIRE RATED CEILING DIFFUSER ASSEMBLY. LISTED IN UNDERWRITERS OF CANADA LABORATORIES LIST OF EQUIPMENT AND MATERIALS.
- 535-FR/L-FRONT BLADES PARALLEL TO LONG DIMENSION
- 535-FR/S-FRONT BLADES PARALLEL TO SHORT DIMENSION
- 535-FR/L TYPE SHOWN ABOVE
- SIZES: MIN. CEILING MODULE 12"X12" (305 X 305)
CEILING MODULE 12"X24" (305 X 610)
MAX. CEILING MODULE 24"X24" (610 X 610)
- FOR 3P PANEL OPTION MAX. NOM. DUCT =CM-4" (102) SPECIFY MODULE SIZE AND NOM. DUCT AS ABOVE
- DUCT: STEEL OR FLEXIBLE DUCT CONNECTIONS (BY OTHERS) AS PER FIRE RATED DESIGN REQUIREMENTS.
- INSTALLATION INSTRUCTIONS: 228793 OR FOR PANEL SEE SUBMITTAL 233667
- FIRE RATED DIFFUSERS ARE TO BE INSTALLED IN FIRE RATED T-BAR APPLICATIONS ONLY.



ALL METRIC DIMENSIONS () ARE SOFT CONVERTED. IMPERIAL DIMENSIONS ARE CONVERTED TO METRIC AND ROUNDED TO THE NEAREST MILLIMETER.

PROJECT:		PRICE®
ENGINEER:	<i>MG</i>	
CUSTOMER:	228738	535-FR RETURN AIR GRILLE 45° DEFLECTION FIRE RATED ASSEMBLY
SUBMITTAL DATE:	SPEC. SYMBOL:	